

## BAR STORAGE SOLUTION

### Introduction

#### Scope :

- The Roll out rack has been specially designed to handle long steel sections like bars, tubes & pipes, channels etc.
- It is designed for both side & single side.
- Safe to handled & stored sections from 3-6 meters long & gives 100% access to all storage levels with help of overhead cranes. It significantly reduces loading & unloading time and cuts aisle space to min of drawer opening size.

#### Working Principle :

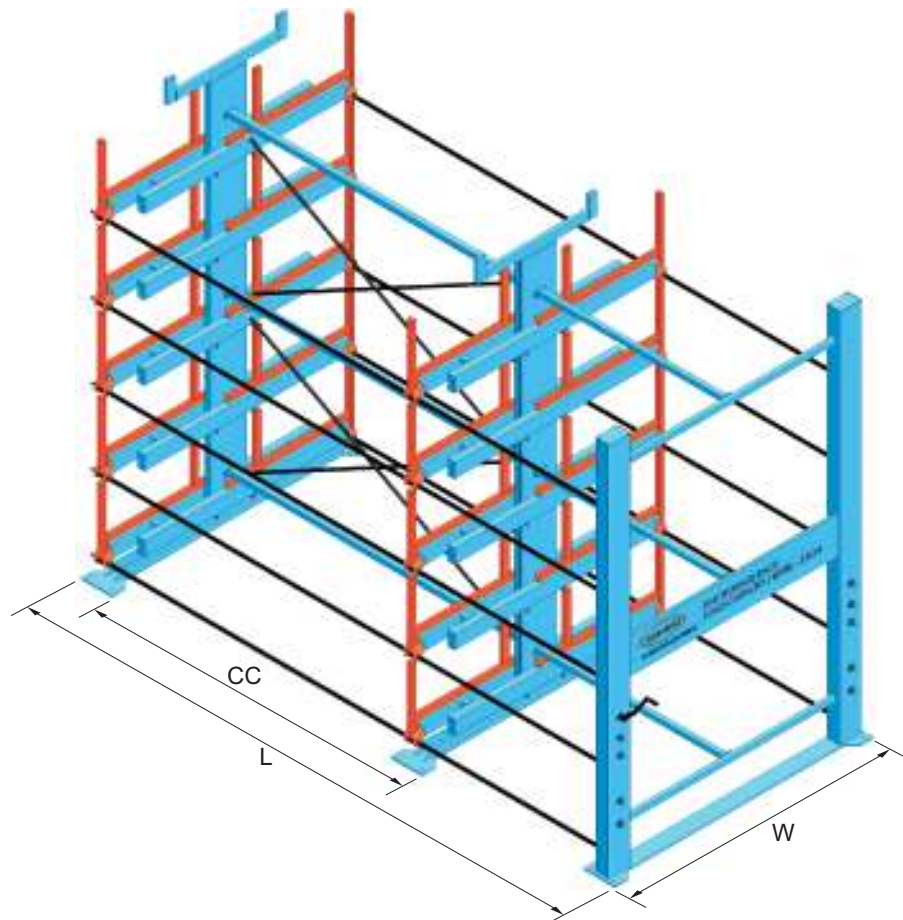
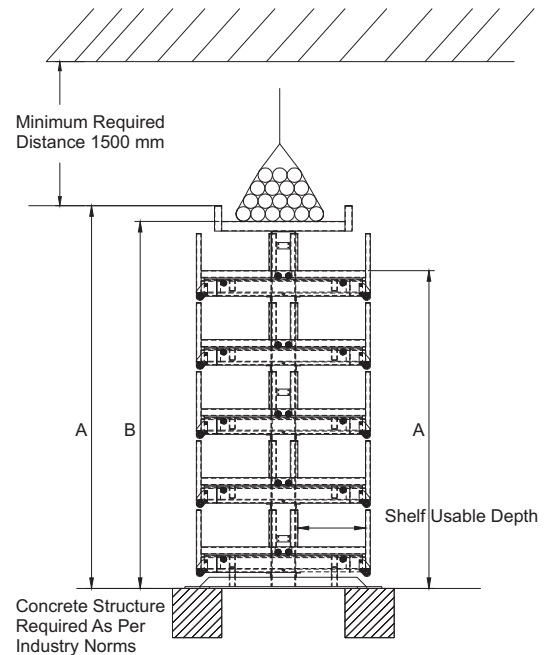
- The arms of the rack are rolled out for loading & unloading accessibility.
- Long section of full length are placed in the arms of rack.
- For cut section pallet is required to be placed in the arms of rack and has to be loaded uniformly in pallet.
- Pallet to be loaded on arms at the arms with of overhead cranes only.

#### Design :

- All racks are combination of two or more upright frame connected with control horizontal & Diagonal.
- To accommodate a standard length.
- All moving parts are mounted on roller bearing.
- The drive shaft having no slip.

#### Advantage :

- Loading of longer sections in minimum space.
- Safety & fatigueless loading because of crane system.
- High load capacity.
- Faster loading & unloading.
- 100% extractable shelves.
- Single person accessibility.
- Identification of different location in minimum time.
- Save in manpower handling + Floor space + identification of location.



### Bar Storage Rack for Hollow (Pipe) Section

Deep Blue

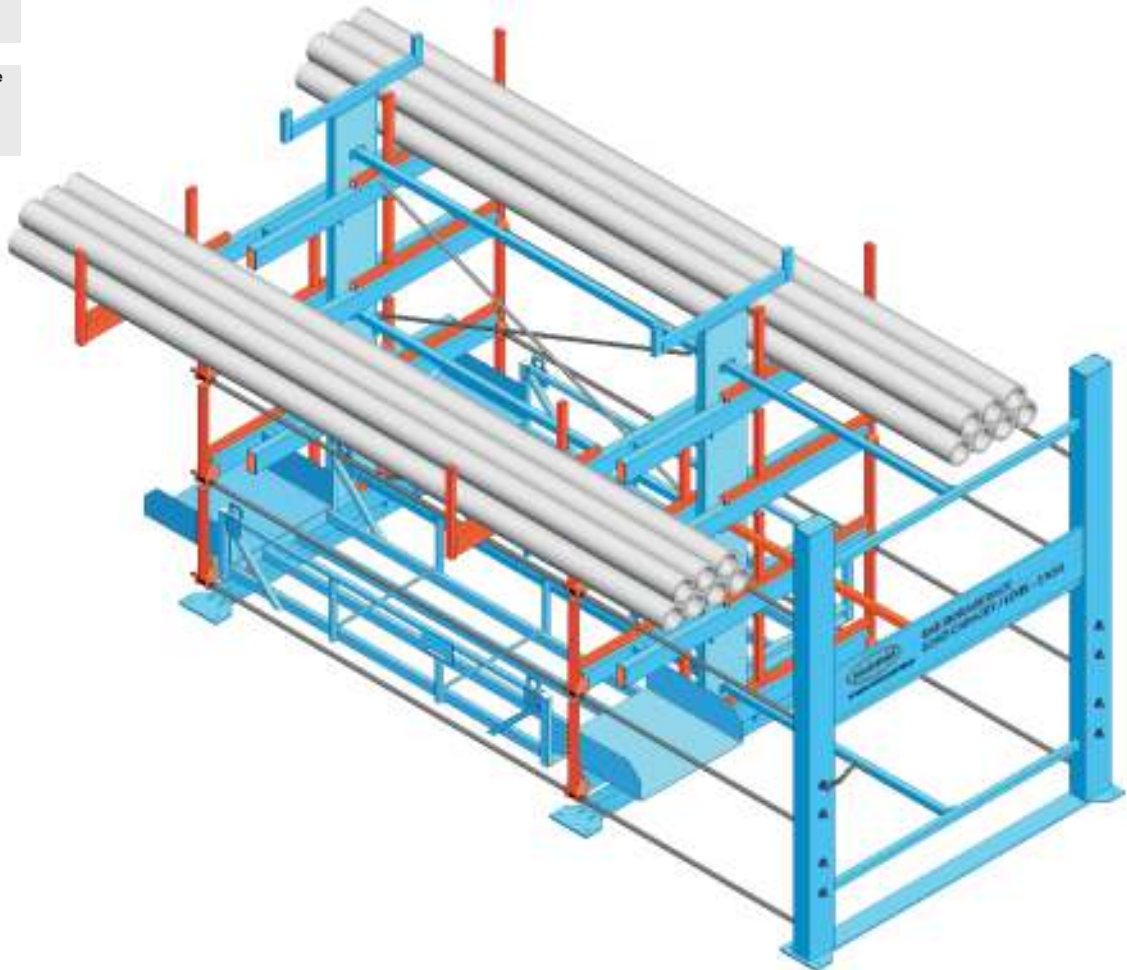


RAL 5015

Deep Orange



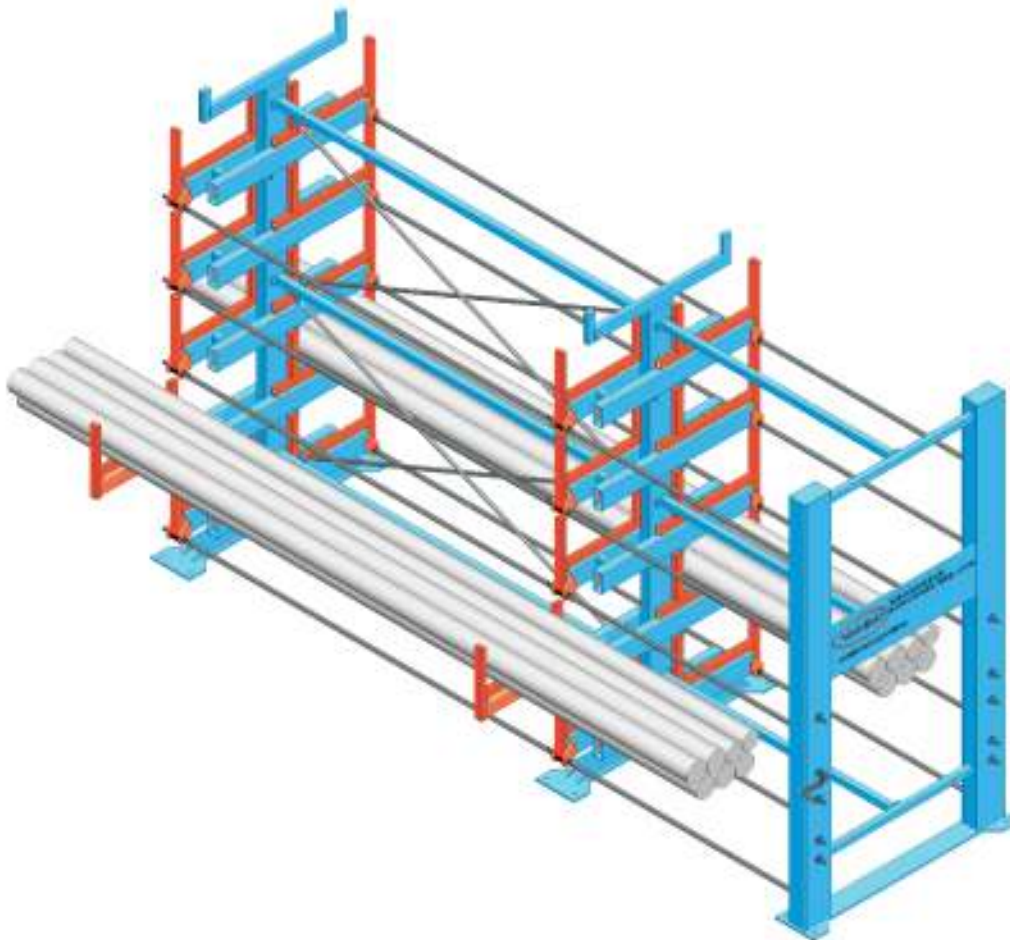
RAL 2009



2 Upright System	For Hollow (Pipe) Section			
Load Capacity Per Level Kg.	2000			
Load Capacity Per Arm Kg.	1000			
Section Length (mm)	6000			
Product Code	MEPL190200185063312	MEPL190200185064412	MEPL190200185065512	NR
Shelf Levels (Including Top Shelf) mm	(2x3)+1	(2x4)+1	(2x5)+1	(2x6)+1
Distance Between Upright mm	3000	3000	3000	3000
Shelf Dim : Usable Depth (Std) mm	850	850	850	850
Usable Height mm	450	450	450	450
Overall Rack Length mm	5167	5167	5167	5167
Rack Width mm	2500	2500	2500	2500
Height : 1 St shelf (Above Floor) mm	340	340	340	340
Upper Level (Above Floor) mm A	1776	2494	3212	3930
Roof Shelf (Height Above Floor) mm B	2333	3051	3769	4487
Total Rack Height mm C	2460	3178	3896	4614

## BAR STORAGE SOLUTION

### Bar Storage Rack for Solid (Pipe) Section



Deep Blue



Deep Orange



2 Upright System	For Solid Section			
Load Capacity Per Level Kg.	3000			
Load Capacity Per Arm Kg.	1500			
Section Length (mm)	4000			
Product Code	MEPL190100155043313	MEPL190100155044413	MEPL190100155045513	NR
Shelf Levels (Including Top Shelf) mm	(2x3)+1	(2x4)+1	(2x5)+1	(2x6)+1
Distance Between Upright mm	3000	3000	3000	3000
Shelf Dim : Usable Depth (Std) mm	550	550	550	550
Usable Height mm	300	300	300	300
Overall Rack Length mm L	4167	4167	4167	4167
Rack Width mm-w	1600	1600	1600	1600
Height : 1 St shelf (Above Floor) mm	340	340	340	340
Upper Level (Above Floor ) mm A	1462	2023	2584	3145
Roof Shelf (Height Above Floor) mm B	1862	2423	2984	3545
Total Rack Height mm C	2001	2556	3111	3672

## BAR STORAGE SOLUTION

### Bar Storage Rack for Hollow (Pipe) Section

Deep Blue

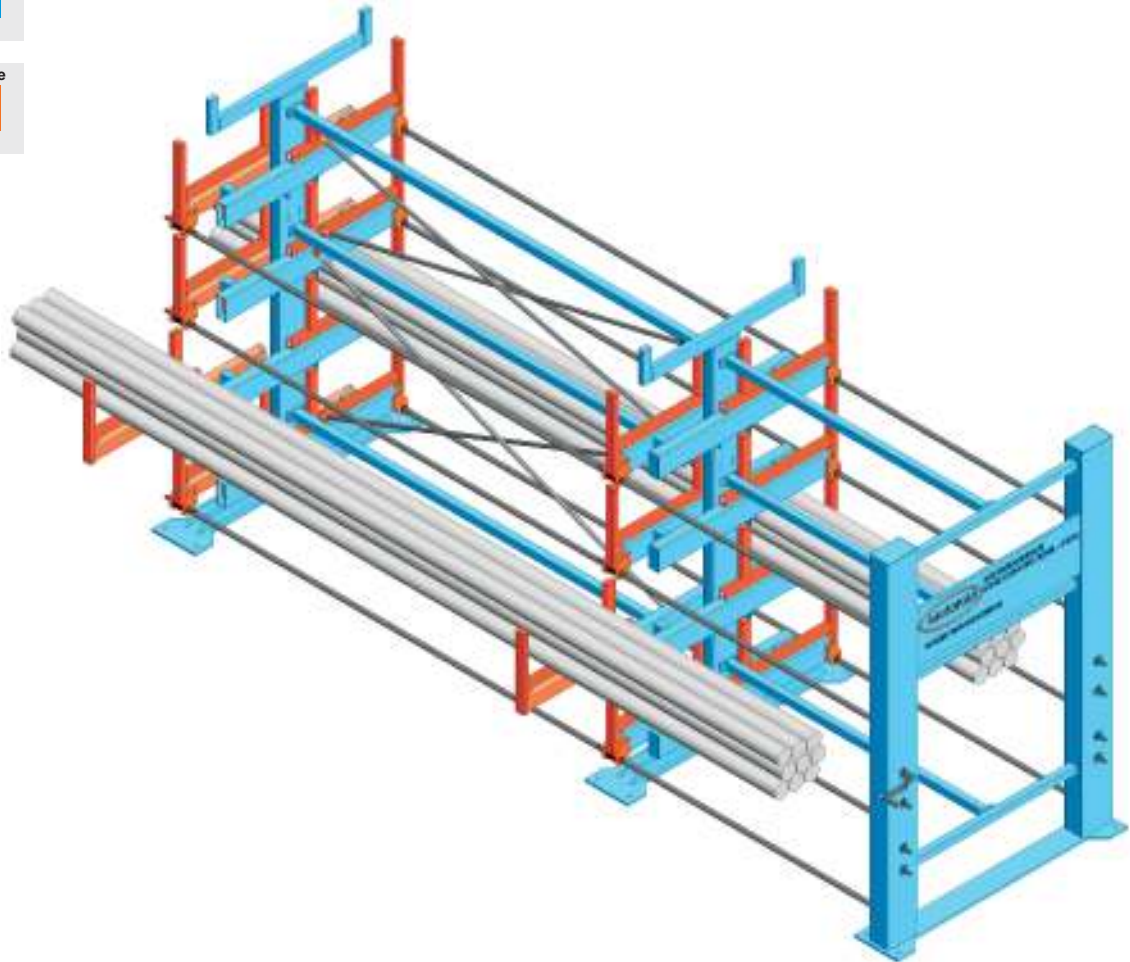


RAL 5015

Deep Orange



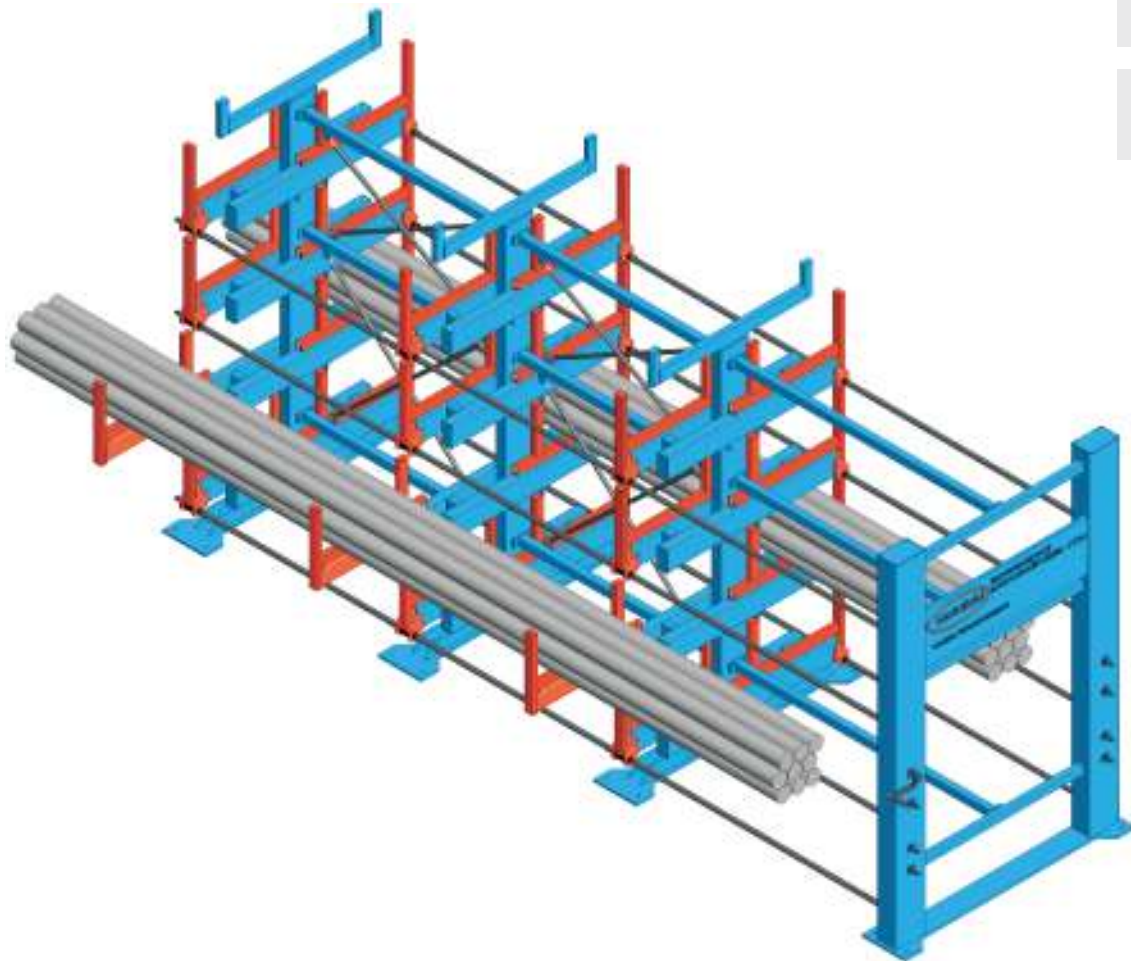
RAL 2009



2 Upright System	For Solid Section			
Load Capacity Per Level Kg.	3000			
Load Capacity Per Arm Kg.	1500			
Section Length (mm)	6000			
Product Code	MEPL190100155063313	MEPL190100155064413	MEPL190100155065513	NR
Shelf Levels (Including Top Shelf) mm	(2x3)+1	(2x4)+1	(2x5)+1	(2x6)+1
Distance Between Upright mm	3000	3000	3000	3000
Shelf Dim :Usable Depth (Std) mm	550	550	550	550
Usable Height mm	300	300	300	300
Overall Rack Length L	5167	5167	5167	5167
Rack Width mm	1600	1600	1600	1600
Height : 1 St shelf (Above Floor) mm	340	340	340	340
Upper Level (Above Floor ) mm A	1462	2023	2584	3145
Roof Shelf (Height Above Floor) mm B	1862	2423	2984	3545
Total Rack Height mm C	2001	2556	3111	3672

## BAR STORAGE SOLUTION

### Bar Storage Rack for Hollow (Pipe) Section



Deep Blue



Deep Orange



3 Upright System	For Solid Section			
Load Capacity Per Level Kg.	4500			
Section Length (mm)	6000			
Load Capacity Per Arm Kg.	1500			
Product Code	MEPL190100255063314	MEPL190100255064414	MEPL190100255065514	NR
Shelf Levels (Including Top Shelf) mm	(2x3)+1	(2x4)+1	(2x5)+1	(2x6)+1
Distance Between Upright mm	1500	1500	1500	1500
Shelf Dim : Usable Depth (Std) mm	550	550	550	550
Usable Height mm	300	300	300	300
Overall Rack Length mm	5167	5167	5167	5167
Rack Width mm	1600	1600	1600	1600
Height : 1 St shelf (Above Floor) mm	340	340	340	340
Upper Level (Above Floor ) mm A	1462	2023	2584	3145
Roof Shelf (Height Above Floor) mm B	1862	2423	2984	3545
Total Rack Height mm C	2001	2556	3111	3672

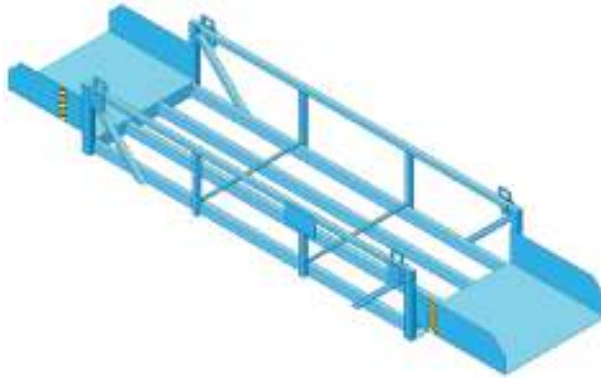
## BAR STORAGE SOLUTION

### Support Pallet

Deep Blue



RAL 5015



- Fitting to standard Rollout shelves.
- Very flexible for long / short sections.
- Remain on the shelf.
- Suitable for loading & unloading.
- Made of steel sheet construction with grid side tubular structure.

**Bay Load** : 3000 kg.

**Available Size (mm)** :

4000 L x 550 D x 330 H.

4000 L x 950 D x 480 H.

Product Code	Type
MEPL	
MEPL	Dividers 2-fold
MEPL	Dividers 3-fold
MEPL	Dividers 3-fold

### Dividers

Deep Orange



RAL 2009



- Fitting to Standard Rollout Shelves.
- Moveable divider.
- Adapt to variable storage needs.
- Standard colour : Painting

Product Code	Type
MEPL041110023000	Dividers 2-fold
MEPL041110025000	Dividers 2-fold
MEPL041110033000	Dividers 3-fold
MEPL041110035000	Dividers 3-fold